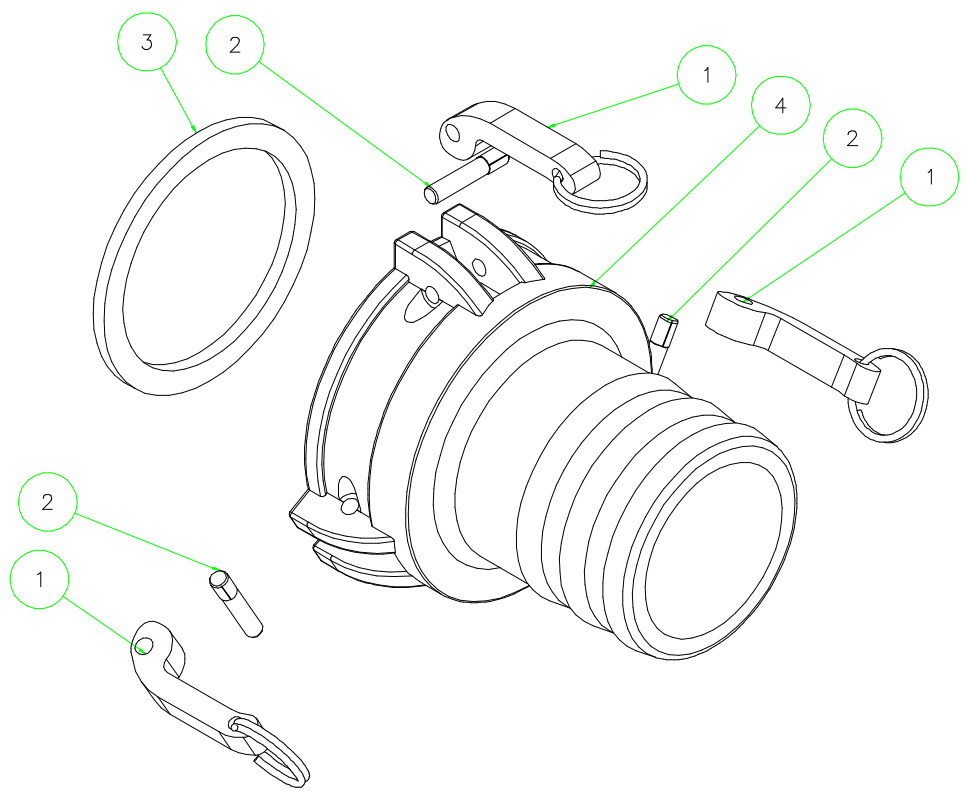
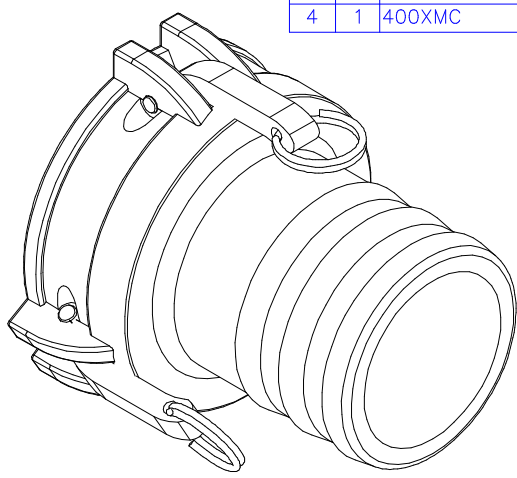


Parts List			
Item	Qty	Part No.	Description
1	3	300K	CAM ARM W/ RING, 3"
2	3	300P	3" CAM ARM PIN
3	1	400G	4" COUPLING GASKET
4	1	400XMC	400 XMC



**BANJO**  
LIQUID HANDLING PRODUCTS

BANJO CORPORATION  
150 BANJO DR. • CRAWFORDSVILLE, IN 47933

PART NO. 400C

TITLE 400C

THIS DRAWING AND ALL INFORMATION CONTAINED THEREON ARE THE EXCLUSIVE PROPERTY OF BANJO CORPORATION. UNLESS SPECIFICALLY NOTED, THIS DRAWING AND ITEMS SHOWN ON THIS DRAWING ARE SUBJECT TO CHANGE AT ANY TIME.